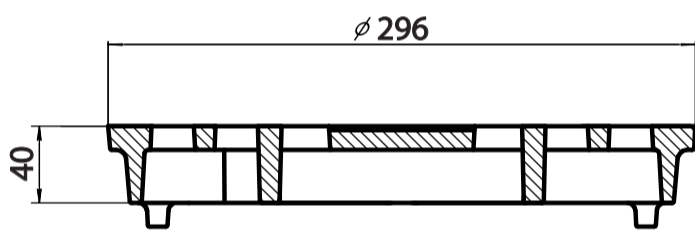
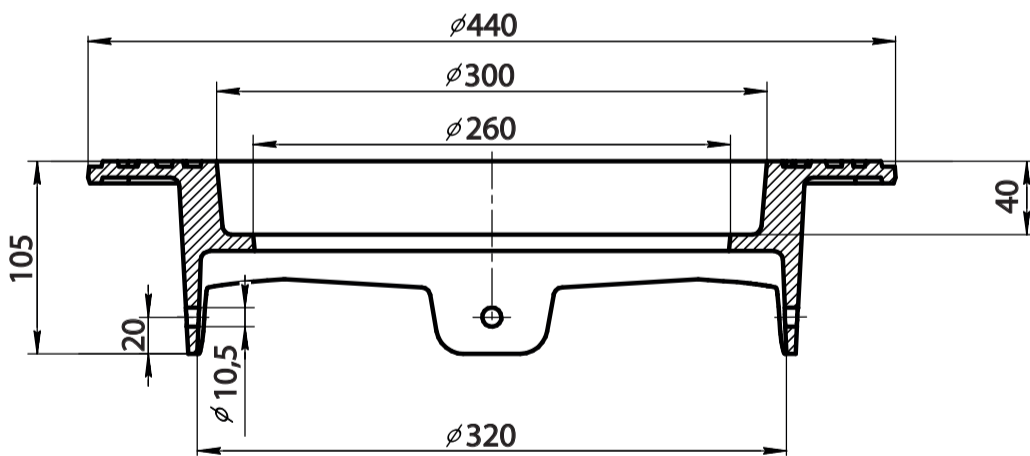




Grating art. 315G D400



Frame art. 315Fnn D400



Standard	EN124 : 1994
EN 124 Class	D400
Place of installation	Carriageways of roads
Material	Ductile Cast Iron
Packing	Wooden Pallets
Quantity per Pallet	48-54 sets